

Rohloff Revolver 2

Professional-Universal-Riveting Tool for all 1/2" x 3/32" derailleur chains

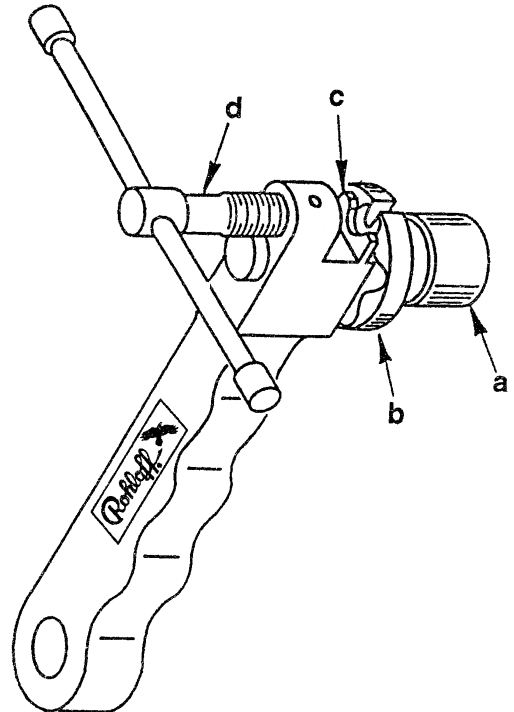
- Opens and connects chains with precision
- Securely rivets the pin head using a tungsten carbide die
- Revolver riveted pin is marked for easy recognition

Easy to operate, manufactured for safety and with precise settings, the **ROHLOFF-REVOLVER 2** makes possible professional opening and connecting, as well as securely riveting every commercially available derailleur chain.

Every chain is only as strong as its weakest link

When you are joining a chain, be sure to go about it with precision and extreme care. Check afterwards that the pin plates concerned have not become deformed in any way, and that on both sides of the link a small pin projection can be seen and felt which compares to that of the other chain pins. Without the correct tools, assembly defects can easily occur, such as damage to the pin fit in the plates, or insufficient pin projection. Such defects could cause the chain to break. For this reason we recommend to use always the **ROHLOFF-REVOLVER 2** which was developed

exclusively for this purpose. Easy to operate, manufactured for safety and with precise settings, the **ROHLOFF-REVOLVER 2** makes possible professional opening and connecting, as well as securely riveting every commercially available derailleur chain. Whether for use in tough sports, especially on Mountain Bikes or for racing, 'Revolver-riveted' is securely riveted, allowing your precision chain to meet every demand.



Opening a chain

- Turn the breech (b) to position 1.
- Place the chain in the comb (c), using a finger to hold the link in position.
- By tightening the knurled nut (a), clamp the breech (b) firmly against the chain. The link is now secured in the comb (c).
- Rotate the spindle clockwise until it touches the pin. After contact is made turn the spindle (d) approx. 4 and a half revolutions for Super-Narrow-Chains (6.85mm), or approx. 5 revolutions for all other chains (7.2 mm-7.5 mm).
- Turn the spindle (d) back, unscrew the knurled nut (a) and remove the chain from the tool.
- Bend the link slightly and pull the chain apart.

Connecting and riveting a chain

- Grease the chain ends and snap them together.
- Turn the breech (b) to position 2 for Super-Narrow-Chains (6.85 mm), ie. **ROHLOFF S-L-T 99 Road**, or to position 3 for all other chains (7.2 -7.5 mm).
- Place the link to be connected in the comb (c) with the pin through the link on the spindle (d) side. By using a finger hold the link in the comb.
- Turn the spindle lightly against the pin, so that the chain sits securely in the comb (c).
- By tightening the knurled nut (a), clamp the breech (b) against the chain.
- By turning the spindle (d), push the pin through the pin hole until it touches the breech (b), and then turn it approx. a further 1/2 revolution. (You may have to use some force).
- Turn the spindle (d) back and unscrew the knurled nut (a).
- The pin heads are marked after being riveted. Chains should never be riveted more than once at the same point.

Additional advice for treatment of Shimano chains

Only for Shimano 8-speed chains we recommend to rivet a normal pin of the Shimano chains following the instructions above. For Shimano 9-speed chains you have to use the special Shimano connecting pin. It can be pushed into the chain on pos. 1 of the revolver. In this case you should rivet both sides of the pin with pos. 2 as explained above.

Servicing information

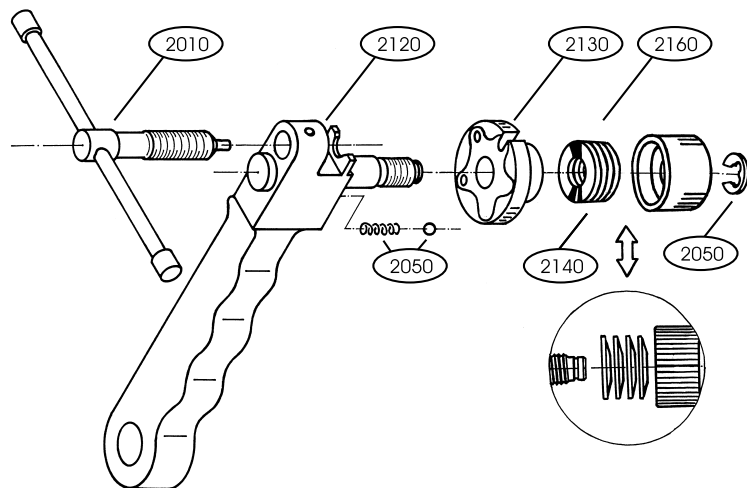
The **ROHLOFF-REVOLVER 2** is a high quality tool that has been especially designed for regular workshop use. In contrast to other chain tools, the pin of the **ROHLOFF-REVOLVER 2** is made from tungsten carbide - an extremely strong material which cannot break under normal use. Therefore a replacement pin is not made. Occasionally, the pin can become loose in the spindle, in which case this can easily be fixed with a metal adhesive.

Like all tools, the **ROHLOFF-REVOLVER 2** needs some basic maintenance for long durability. The spindle should be lubricated regularly and all parts should be free from grit or other particles.

Please make sure that the tool is used correctly by your customers. Nearly all complaints are actually due to misuse of the tool. A bent comb, for example, indicates that the knurled nut has not always been tightened correctly. The spindle forces are very great and may damage the tool if it is not used properly.

Spareparts

CODE	SPARE PART
2010	Spindle with pin and handle
2120	Body
2130	Breech
2140	Knurled nut
2050	Spring, ball, lock washer
2060	Special springs for Revolver 2



ROHLOFF AG
Mönchswiese 11,
D-34233 Fulda
Tel. (0561) 51 08 00
Fax. (0561) 51 08 015